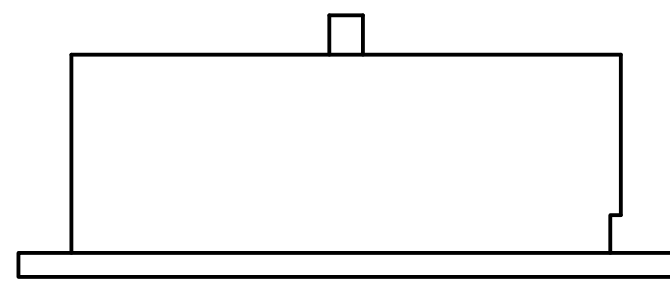
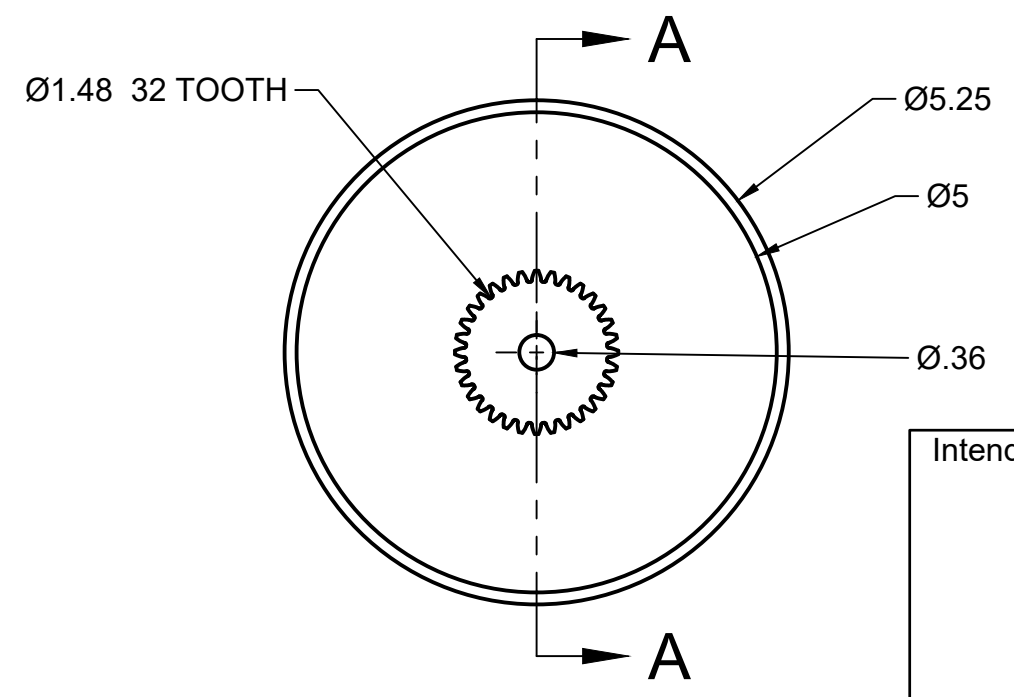
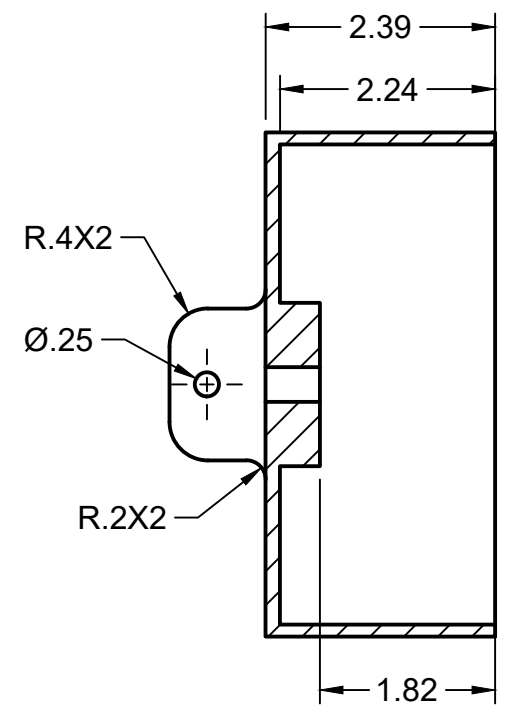
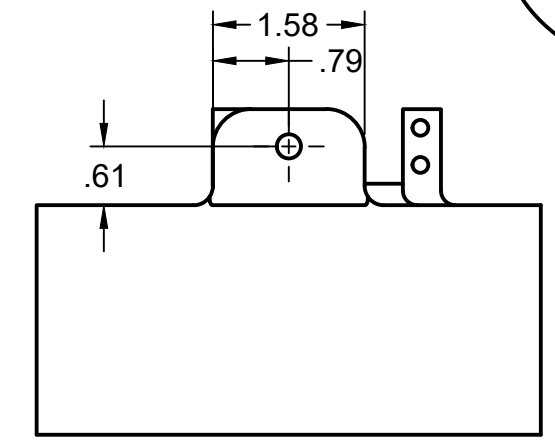
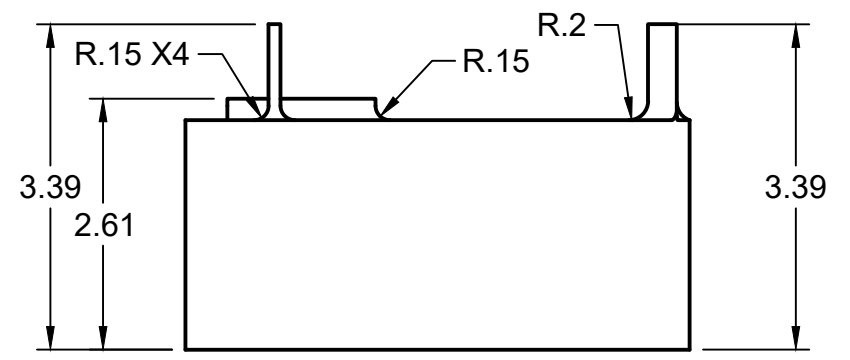
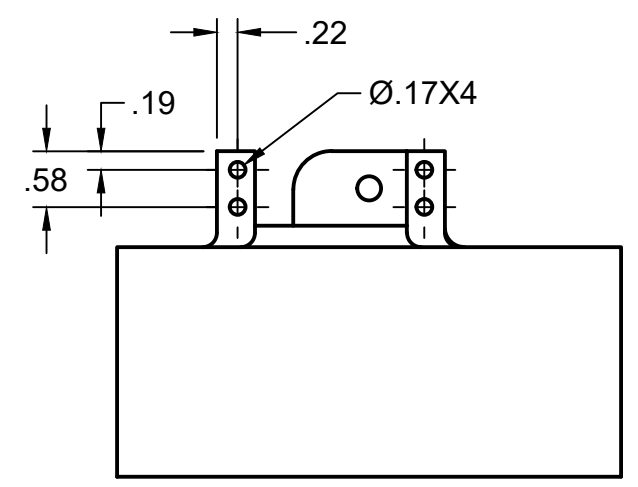
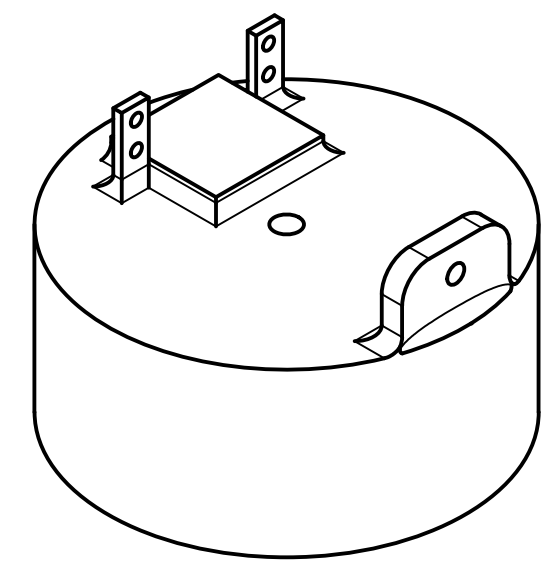
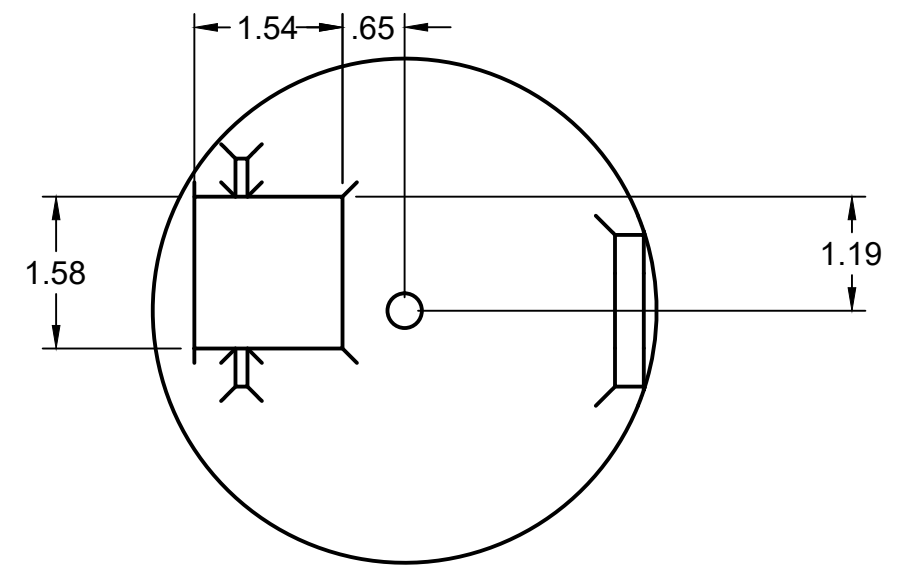


SECTION A-A
SCALE 1:2



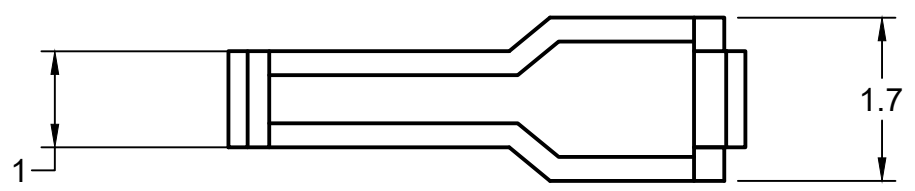
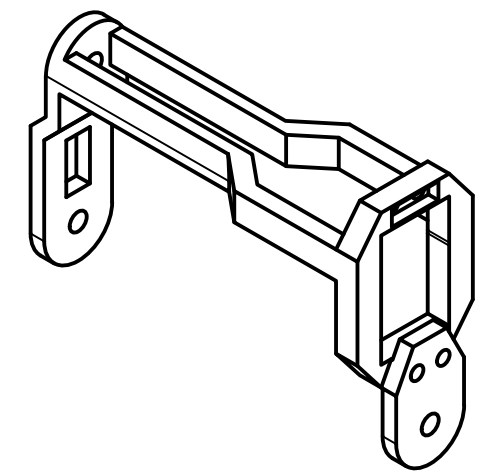
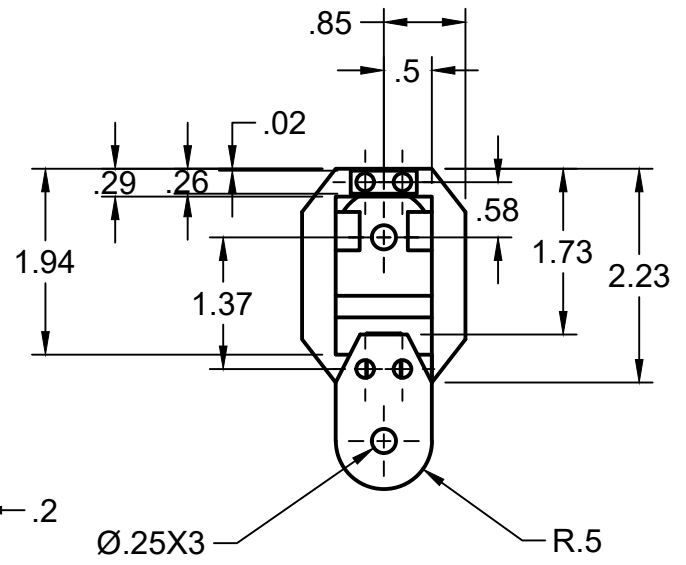
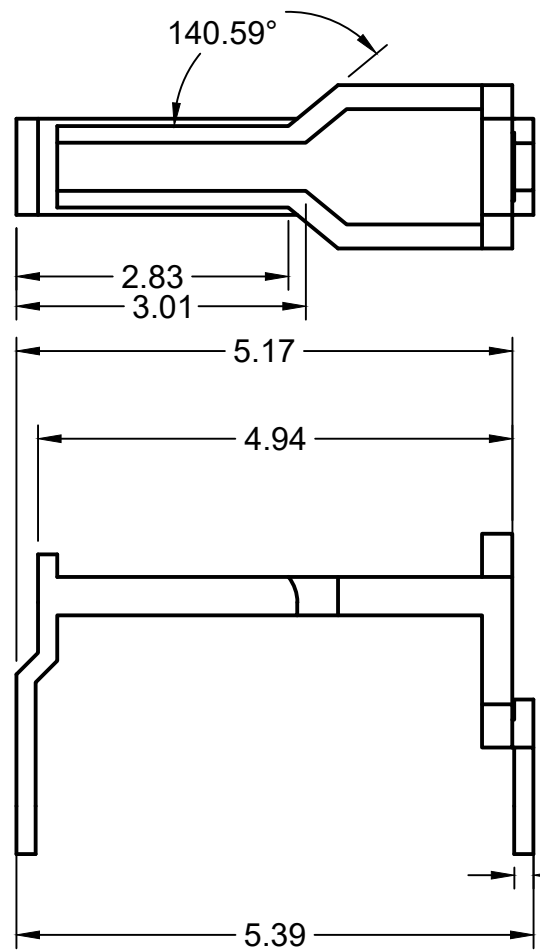
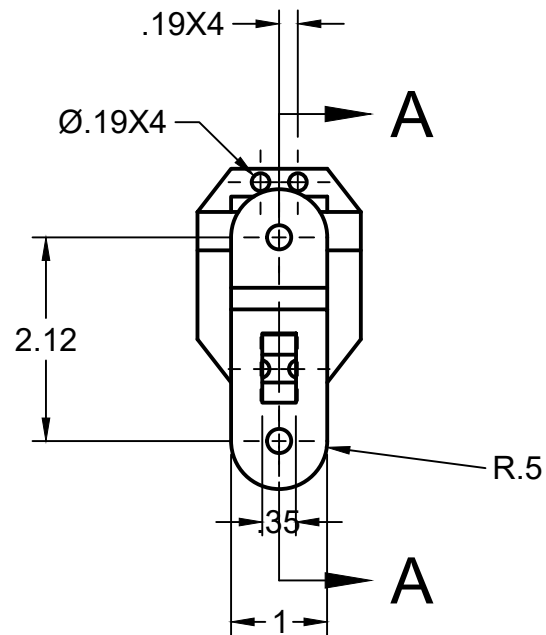
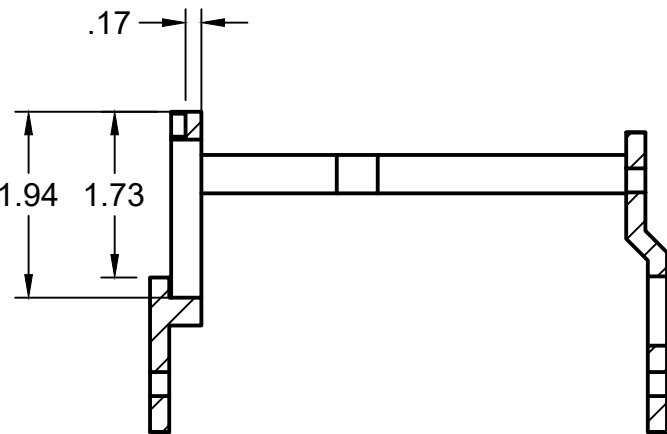
Intended for 3D printing in PLA		PROJECT		
		Revyn 6DOF Robot Arm		
		TITLE		
		Base		
APPROVED	SIZE	CODE	DWG NO	REV
CHECKED	B		1	1
DRAWN	Brevin Banks	8/21/2023	SCALE 1:2	WEIGHT
			SHEET 1/1	



SECTION A-A
SCALE 1:2

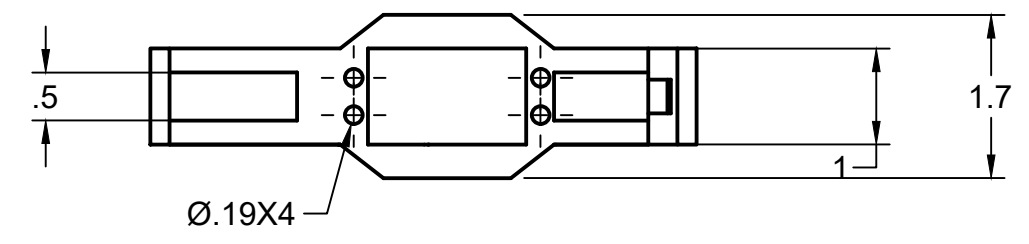
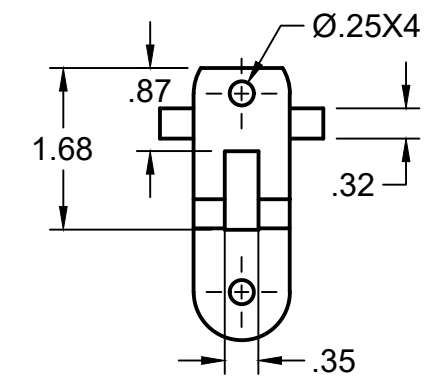
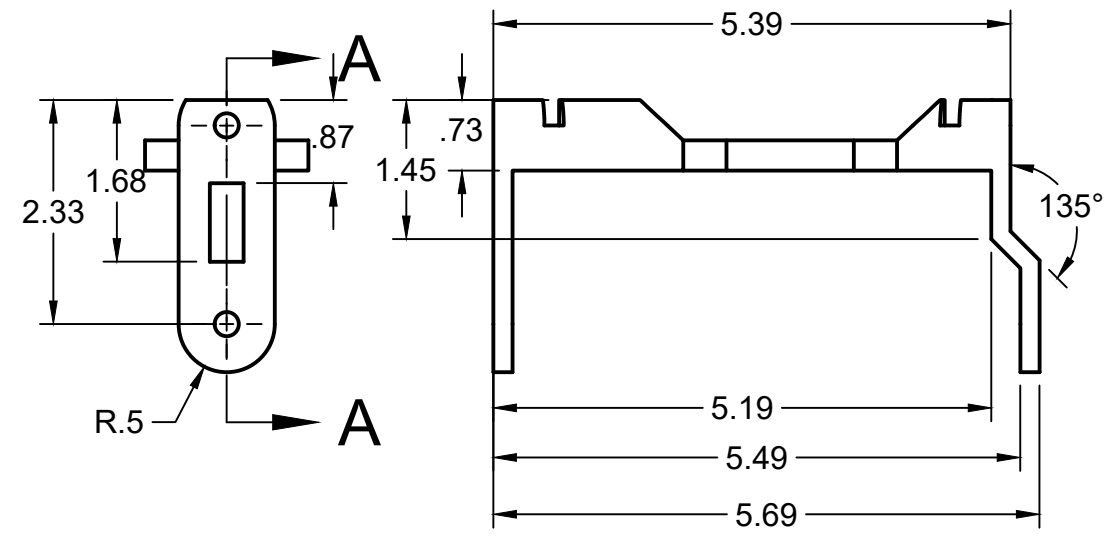
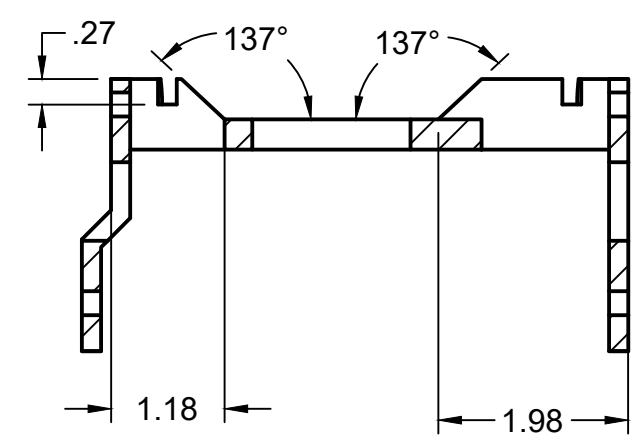
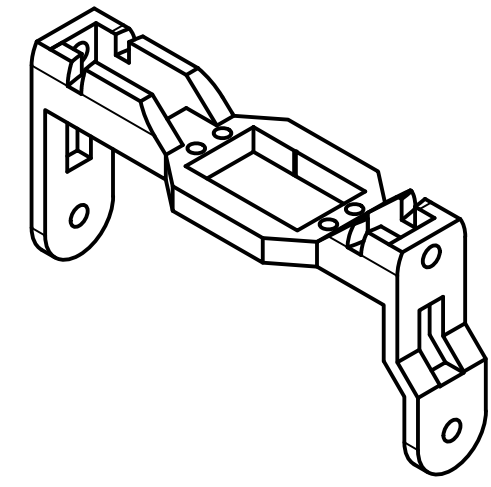
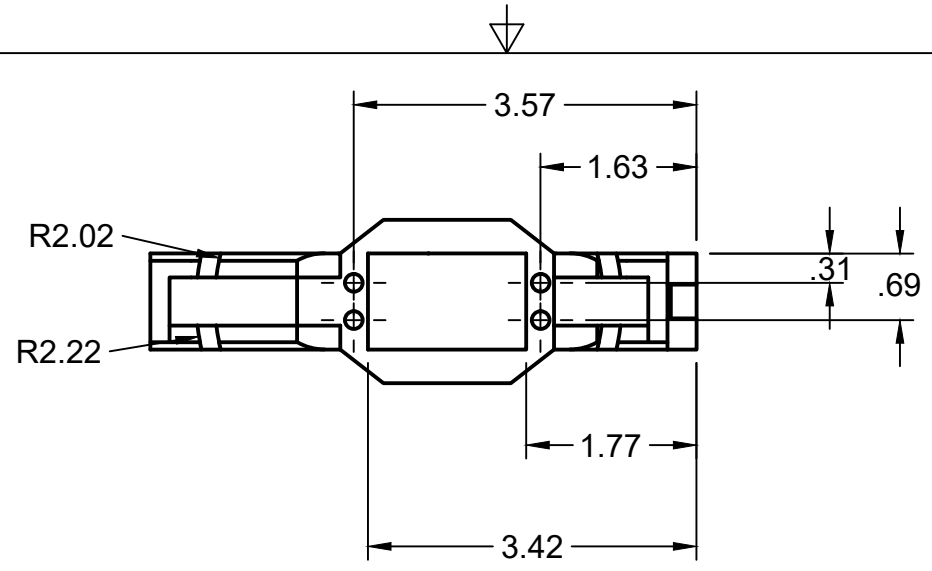
Intended for 3D printing in PLA	PROJECT			
	Revyn 6DOF Robot Arm			
APPROVED	TITLE			
	Base Cup			
CHECKED	SIZE	CODE	DWG NO	REV
DRAWN	B		1	1
Brevin Banks	8/21/2023	SCALE 1:2	WEIGHT	SHEET 1/1





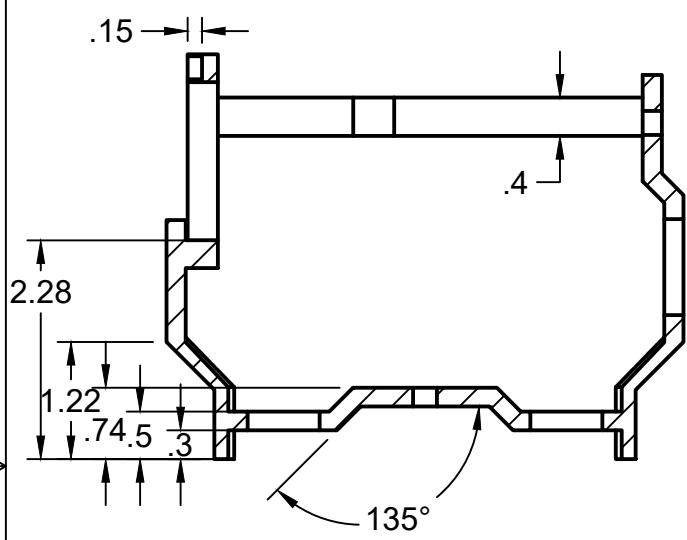
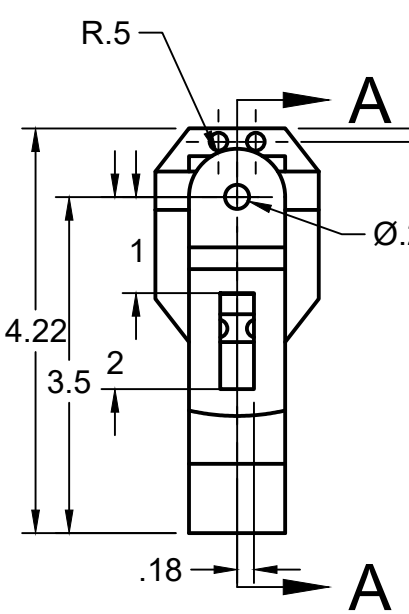
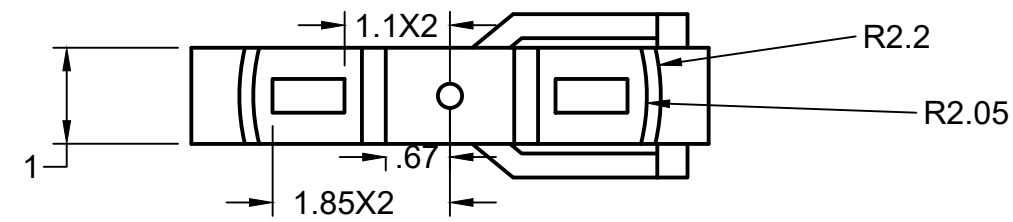
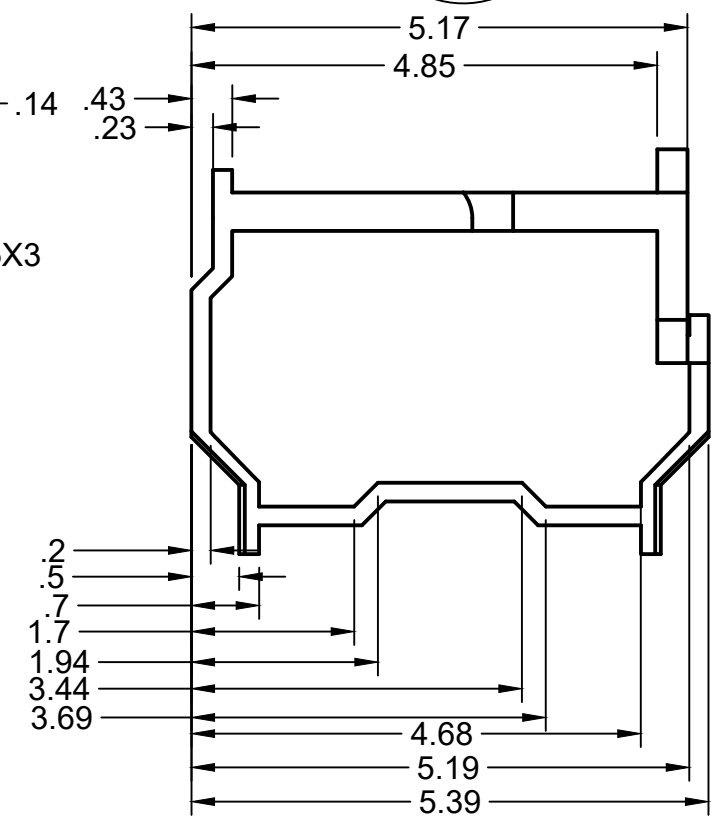
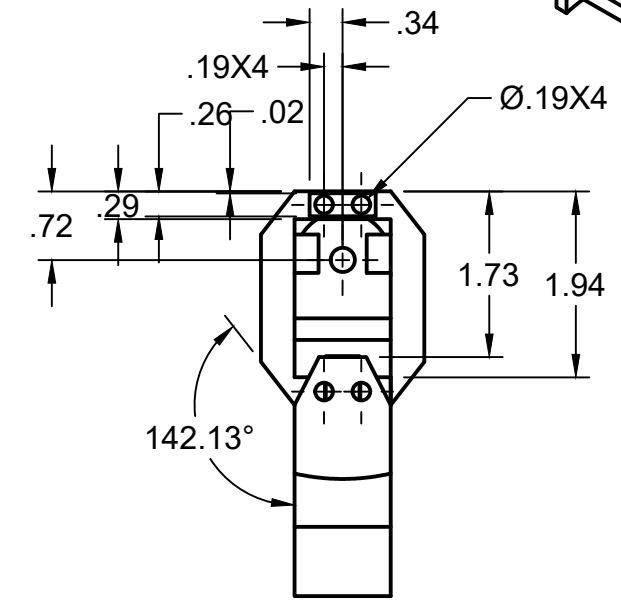
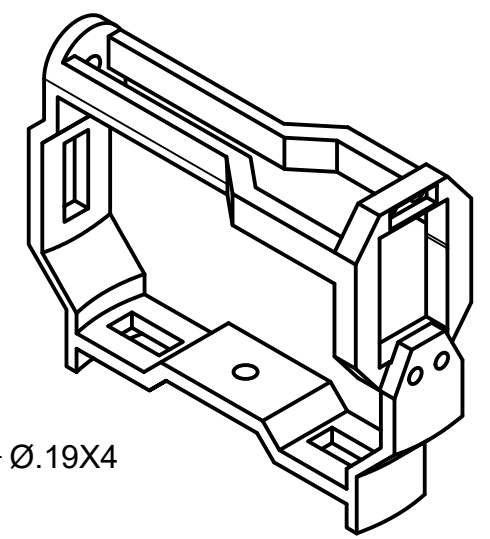
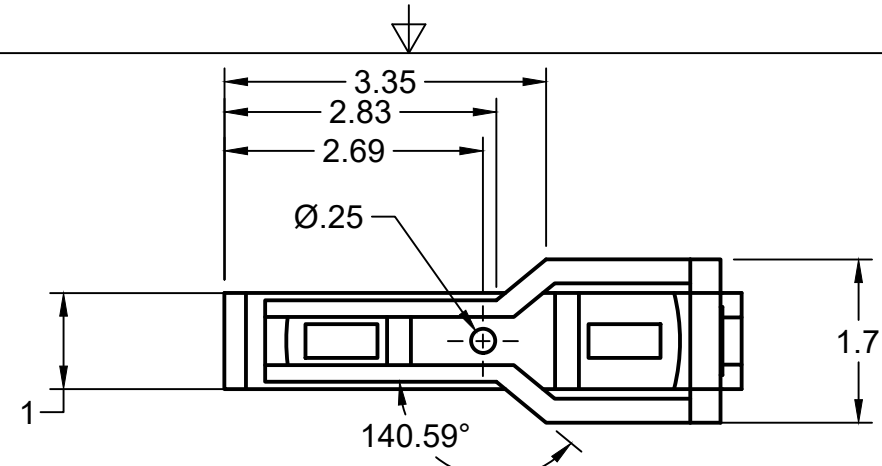
SECTION A-A
SCALE 1:2

Intended for 3D printing in PLA	PROJECT Revyn 6DOF Robot Arm			
	TITLE Joint 2 Short			
APPROVED	SIZE	CODE	DWG NO	REV
CHECKED	B		1	1
DRAWN	Brevin Banks	8/21/2023	SCALE 1:2	WEIGHT
			SHEET 1/1	



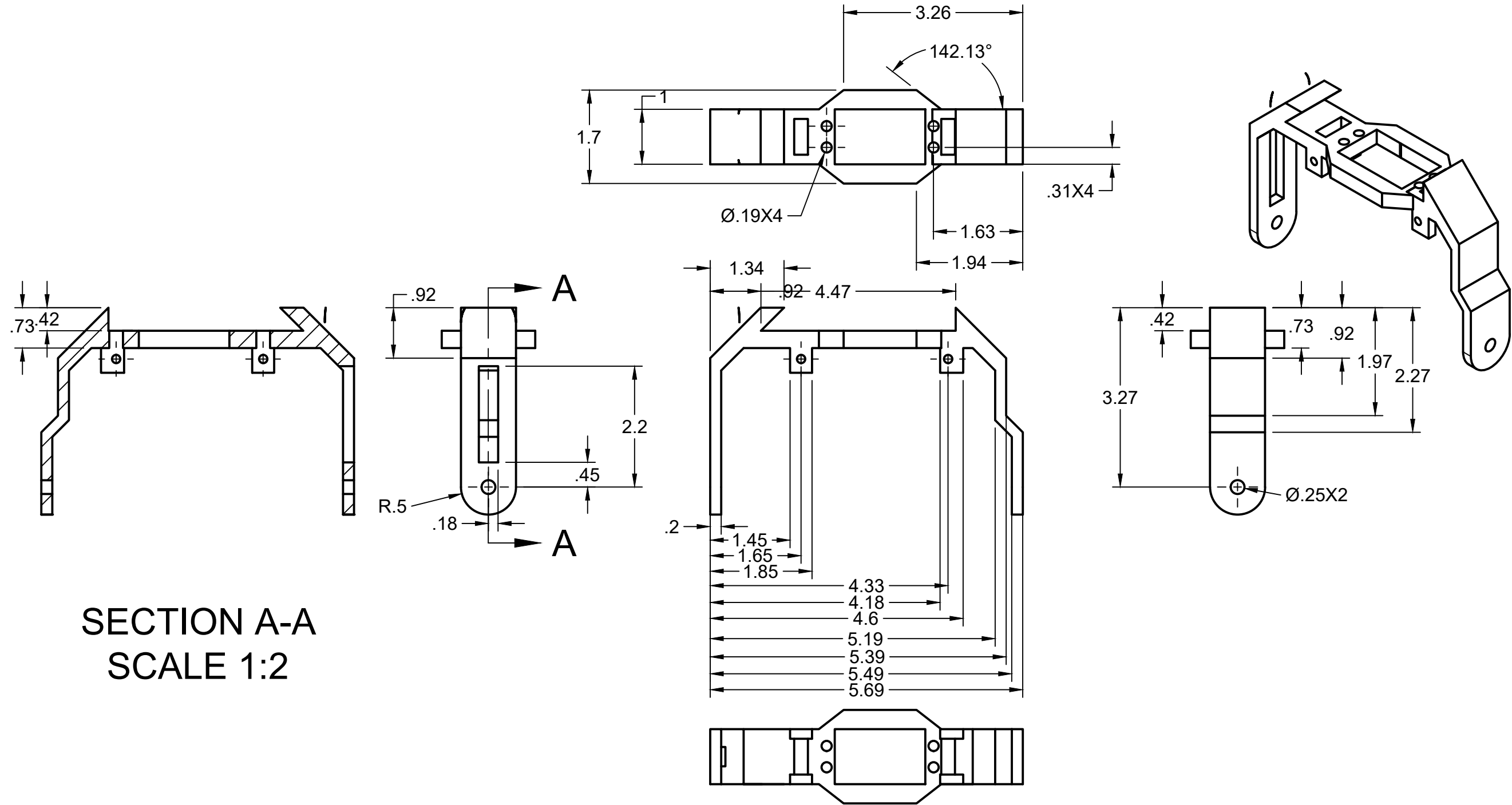
SECTION A-A
SCALE 1:2

Intended for 3D printing in PLA	PROJECT Revyn 6DOF Robot Arm			
	TITLE Joint 3 Short			
APPROVED	SIZE	CODE	DWG NO	REV
CHECKED	B		1	1
DRAWN	Brevin Banks	8/21/2023	SCALE 1:2	WEIGHT
			SHEET 1/1	



SECTION A-A
SCALE 1:2

Intended for 3D printing in PLA		PROJECT Revyn 6DOF Robot Arm		
		TITLE Joint 4		
APPROVED	SIZE	CODE	DWG NO	REV
CHECKED	B		1	1
DRAWN	Brevin Banks	8/21/2023	SCALE 1:2	WEIGHT
			SHEET 1/1	



SECTION A-A
SCALE 1:2

Intended for 3D printing in PLA

PROJECT

Revyn 6DOF Robot Arm

TITLE

Joint 5

APPROVED

SIZE

CODE

DWG NO

REV

CHECKED

B

1

1

DRAWN

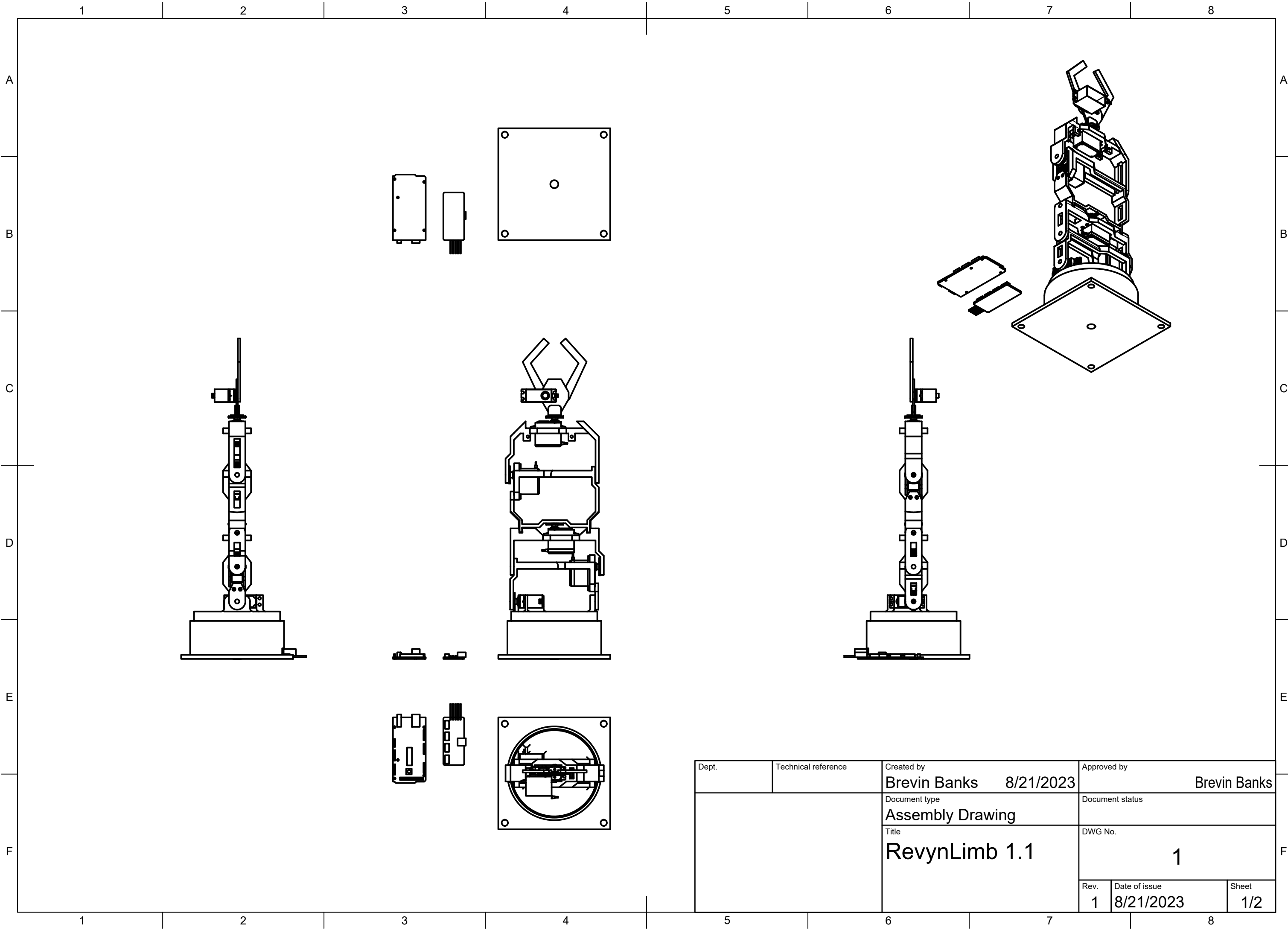
Brevin Banks

8/21/2023

SCALE 1:2

WEIGHT

SHEET 1/1



Dept.	Technical reference	Created by Brevin Banks 8/21/2023	Approved by Brevin Banks
		Document type Assembly Drawing	Document status
		Title RevynLimb 1.1	DWG No. 1
		Rev. 1	Date of issue 8/21/2023
		Sheet 1/2	

A

A

BILL OF MATERIALS						
PART	QUANTITY	PRICE	MATERIAL	REFERENCE	NUMBER	
BASE	1	N/A	BLACK PLA	'Base.step'	1	
BASE CUP	1	N/A	BLACK PLA	'Base Cup.step'	2	
JOINT 2	1	N/A	BLACK PLA	'Joint 2.step'	3	
JOINT 3	1	N/A	BLACK PLA	'Joint 3.step'	4	
JOINT 4	1	N/A	BLACK PLA	'Joint 4.step'	5	
JOINT 5	1	N/A	BLACK PLA	'Joint 5.step'	6	
AMAZON CLAW	1	\$22.99	ALUMINUM	https://www.amzn.com/B09KL42BT9	7	
SERVO HORN	6	\$2.99 pr/part	ABS	https://www.amzn.com/B0006N73Z6	8	
MG996R	7	\$5.39 pr/part	N/A	https://www.amzn.com/B07MFK266B	9	
ARDUINO MEGA 2560	1	\$20.99	N/A	https://www.amzn.com/B01H4ZDYCE/	10	
PCA9685	1	\$6.49 pr/part	N/A	https://www.amzn.com/B07BRS249H	11	
3 WIRE JUMPER EXTENDERS	7	\$0.59 pr/part	N/A	https://www.amzn.com/B01DLXG83A	12	
JUMPER CABLES	7	\$6.98 pr/set	N/A	https://www.amzn.com/B01EV70C78	13	
3MM HEX SCREW 20MM LONG	28	\$7.29 pr/set	ALUMINUM	https://www.amzn.com/B01EYA5DQW	14	
3MM HEX SCREW 10MM LONG	7	\$6.99 pr/set	ALUMINUM	https://www.amzn.com/B01EYQ1SBK	15	
3MM HEX NUT	29	\$5.99 pr/set	ALUMINUM	https://www.amzn.com/B01IWUSDYY	16	
6MM HEX SCREW 20MM LONG	3	\$8.99 pr/set	ALUMINUM	https://www.amzn.com/B07KWPZSX2	17	
6MM HEX NUT	3	\$5.99 pr/set	ALUMINUM	https://www.amzn.com/B07BD1G7KK	18	
POWER SUPPLY	1	\$99.99	N/A	https://www.amzn.com/B09WDB2Q47	19	

B

B

C

C

D

D

E

E

F

F

Dept.	Technical reference	Created by Brevin Banks 8/21/2023	Approved by Brevin Banks
		Document type Assembly Drawing	Document status
		Title RevynLimb 1.1	DWG No. 1
	Rev.	Date of issue	Sheet
	1	8/21/2023	2/2